

Casa de Díos

10' x 12' Casita House



Construction Plans

Casita Lista de Cortes

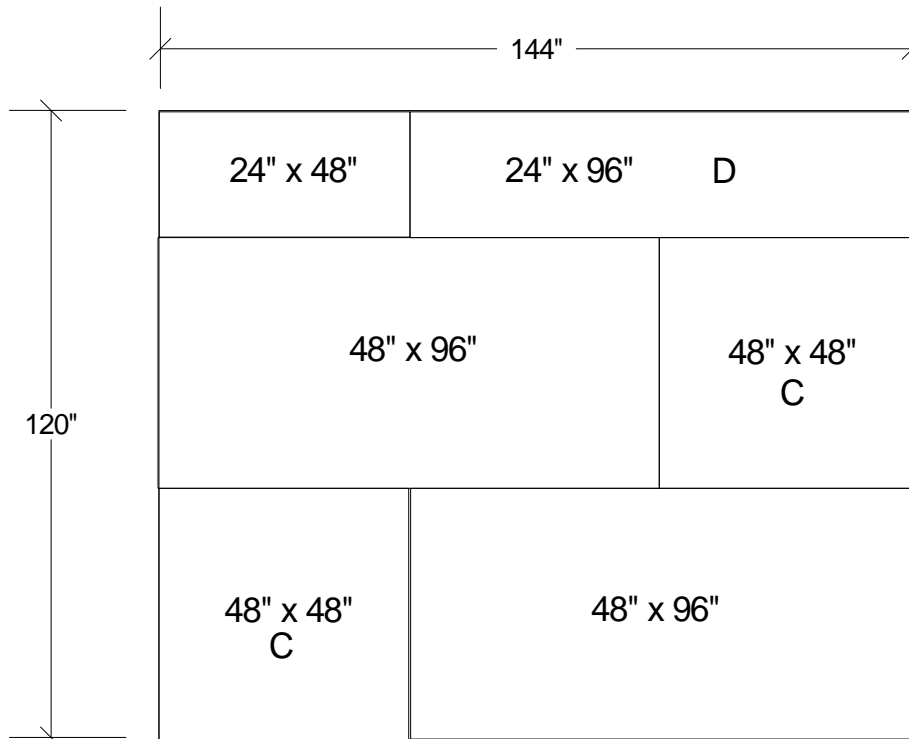
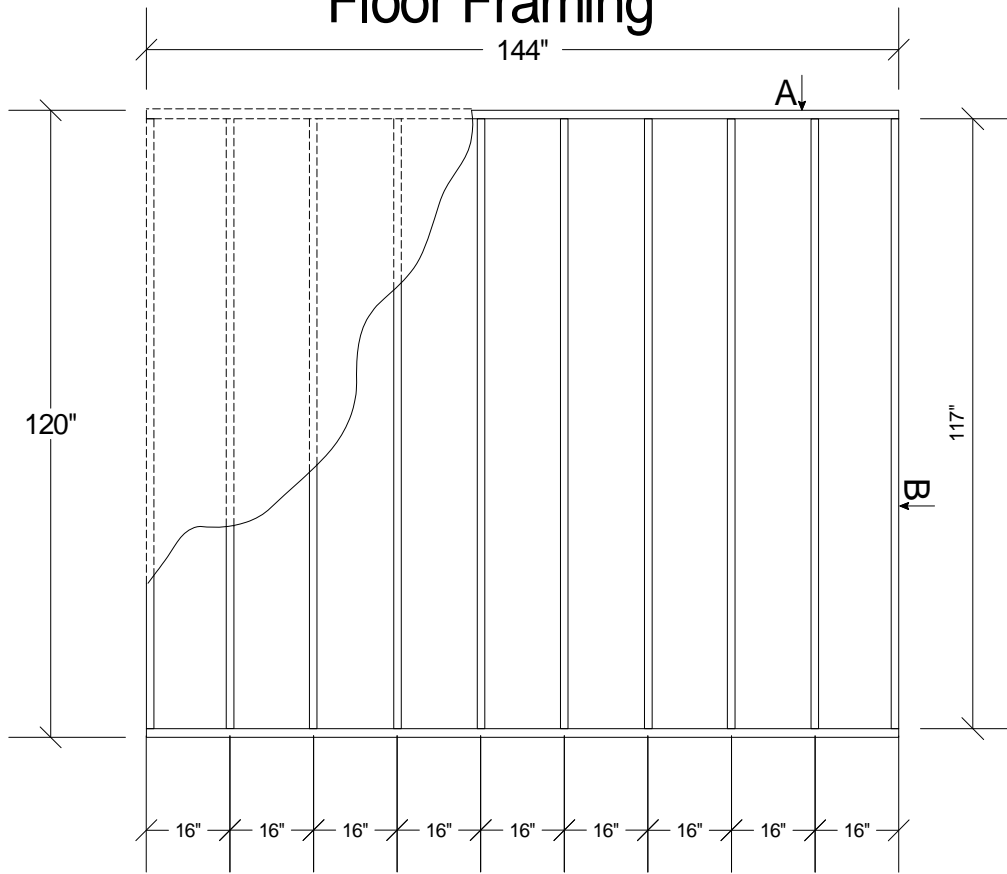
Legend	Qty	Dimension	Location/Description
A	6	2"x 4" x 144"	Floor rim – Long wall Top/Bottom Plate
B	10	2"x 4" x 117"	Floor Joists
C	2	48"x 48" x ¾" Plywood	Floor Sheeting
D	2	24"x 96" x ¾" Plywood	Floor Sheeting
E	30	2"x 4" x 86"	Wall Studs
F	4	2"x 4" x 24"	Roof Center Support
	7	2"x 4" x 22-1/2"	Escalera
H	3	2"x 4" x 36"	Window Studs – Cripples
I	4	2"x 4" x 113"	Front Rear Wall - Top/Bottom Plate
	4	2"x 4" x 48"	Top plate back and front wall
J	1	2"x 4" x 38"	Door Header
	15	2"x 4" x 13-1/4"	atic and ceiling suport
K	1	2"x 4" x 11"	Window Top Cripple
L	4	2"x 4" x 168"	Roof Rim Framing
M	18	2"x 4" x 69" checar angulo	Roof Rafters
N	4	2"x 4" x 22 1/2"	Roof Rafters Blocking
N	4	2"x 4" x 22 3/8"	Roof Rafters Blocking
N	4	2"x 4" x 21 3/4"	Roof Rafters Blocking
O	2	24"x 96" x ½" Triplay	Plywood Roof Sections
O1	4	24"x 36" x ½" Triplay	Plywood Roof Sections
P	4	48"x 84" x ½" Triplay	Plywood Roof Sections
Q	6	48"x 96" x ½" Triplay	Plywood Wall Sections
R	4	27-1/2"x 60" x3-3/4" ½"	Plywood Gable Ends Checar Medida
S	4	48" x 92-1/2" x ½" Triplay	Plywood Wall Sections
S	2	24" x 92-1/2" x ½" Triplay	Plywood Wall Sections
	2	70-1/2"x48" ¾" Plywood	Atic Floor Sheeting
	1	16-1/2"x46" ¾" Plywood	Atic Floor Sheeting
	1	16-1/2"x24-3/4" ¾" Plywood	Atic Floor Sheeting
	3	2x6x10'	Atic Floor
	1	2x6x113"	Atic Floor

Notes: Verify ALL measurements!

Check ALL windows and doors **prior** any cutting!

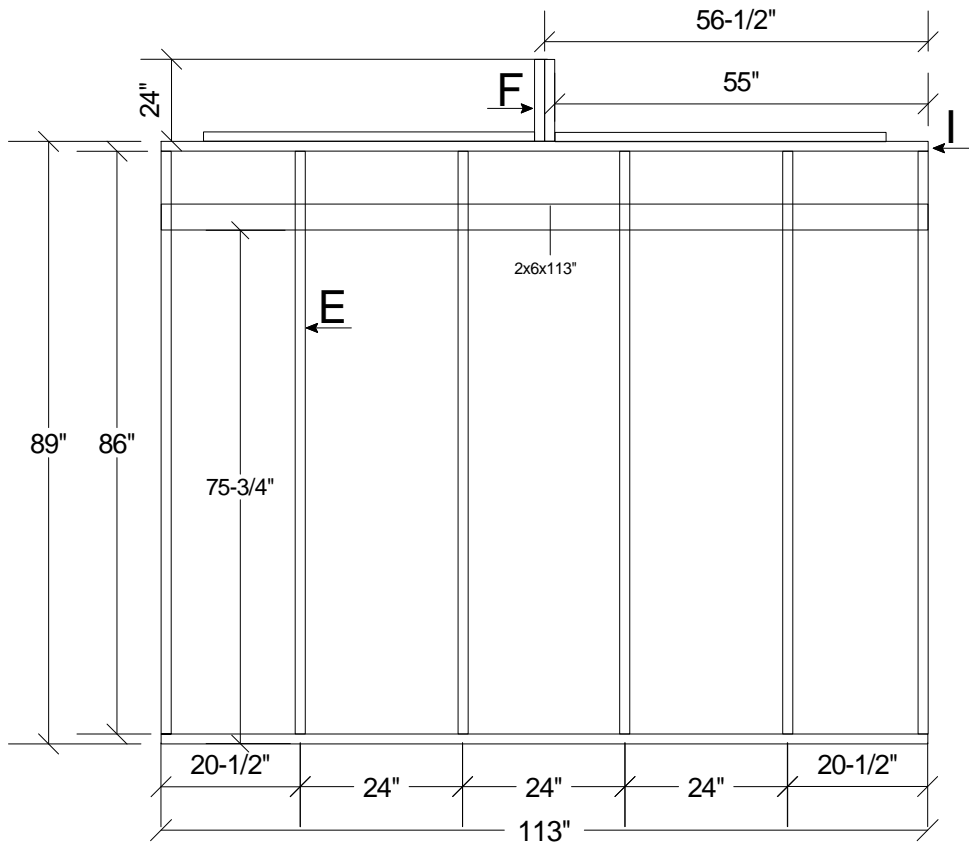
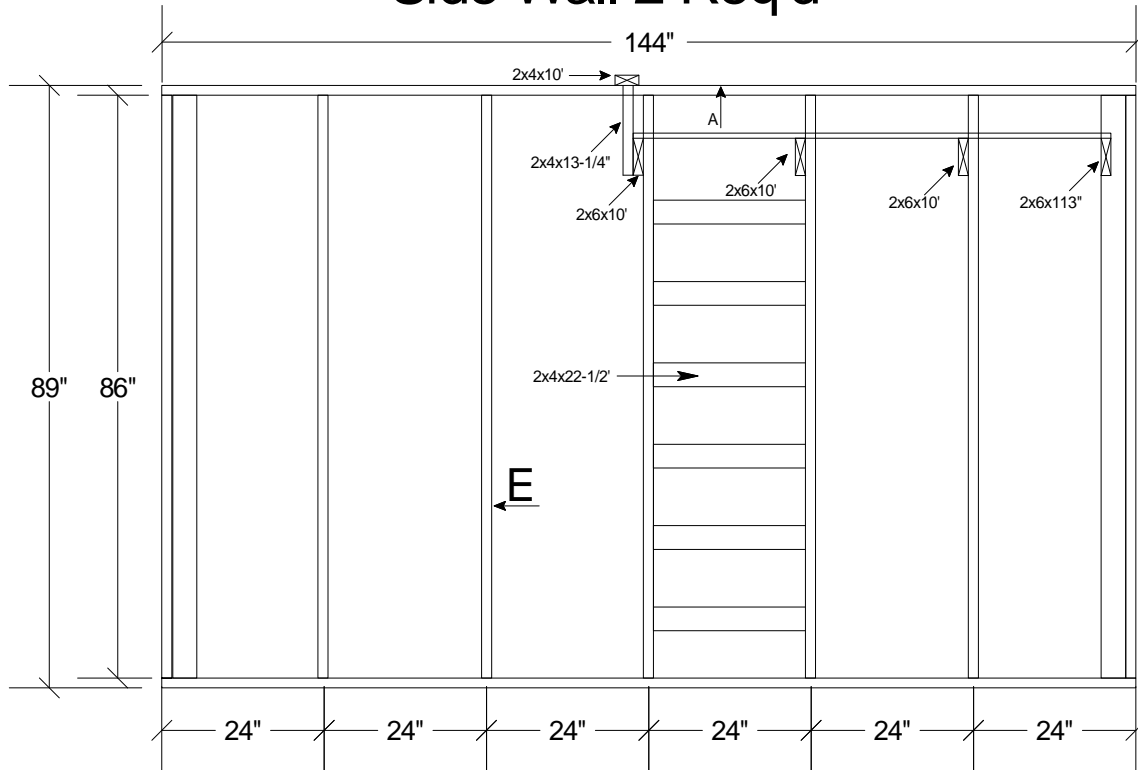
Measure twice! Cut Once!

Floor Framing

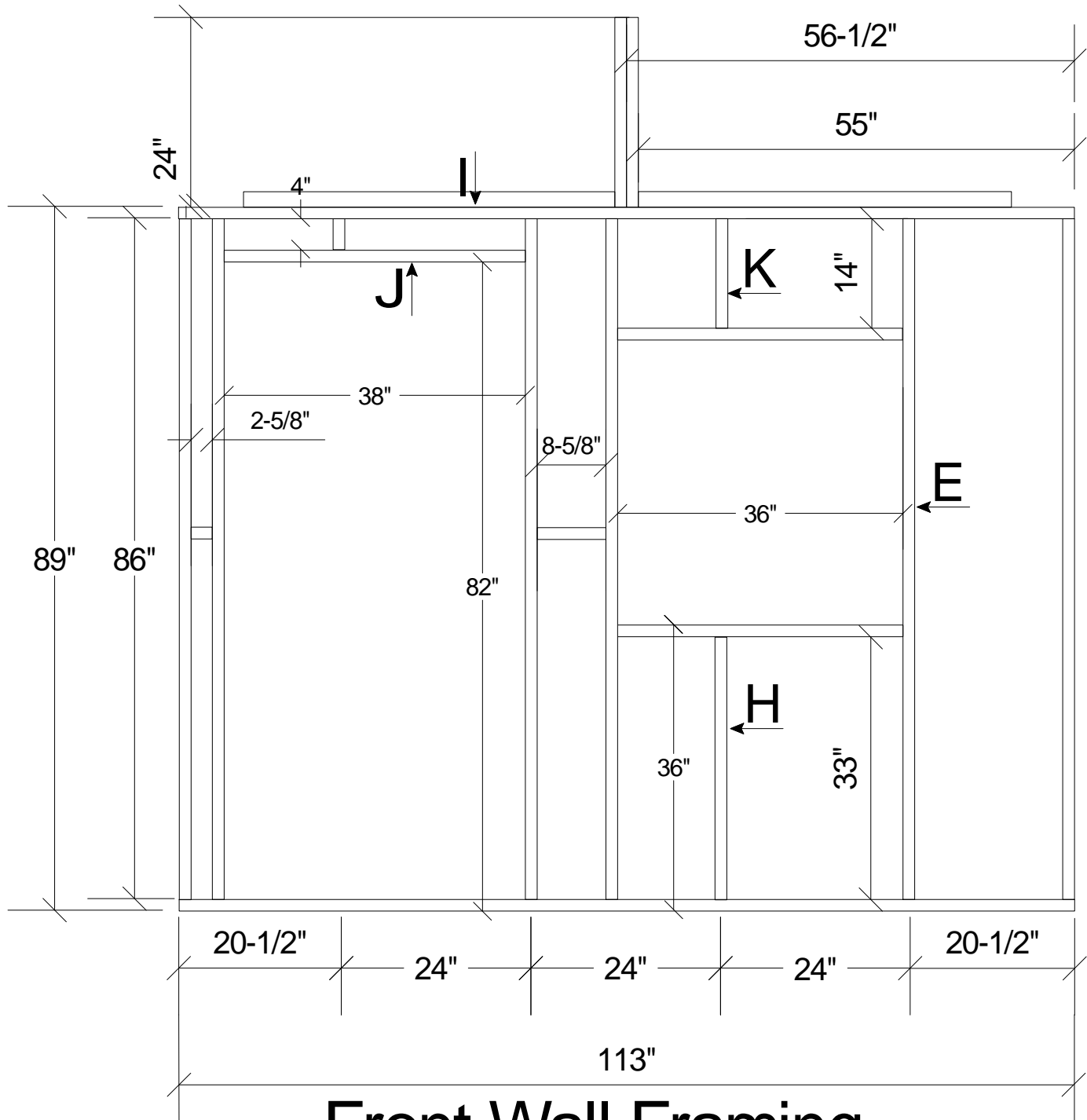


Floor Sheeting Layout

Side Wall 2 Req'd



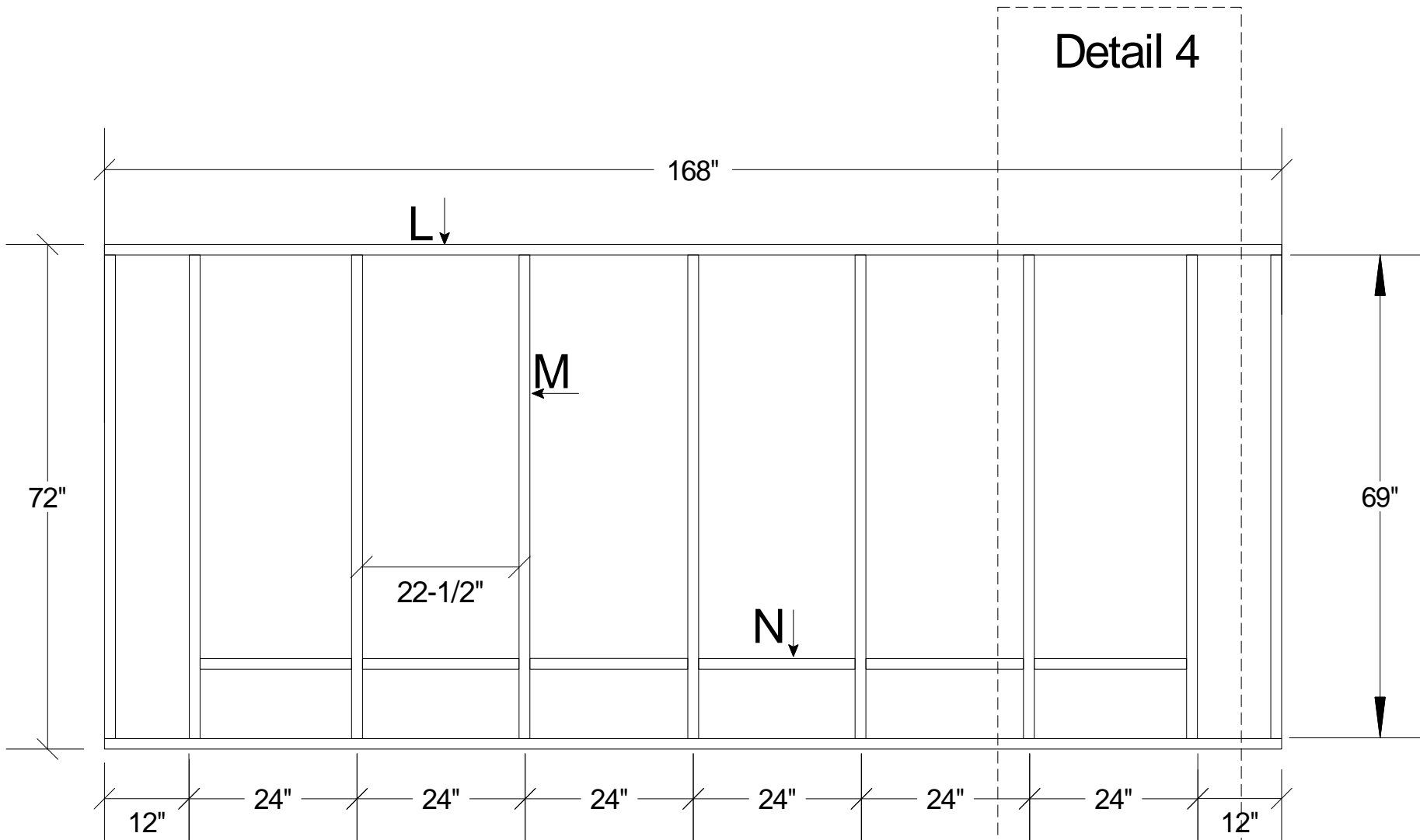
Rear Wall 1 Req'd

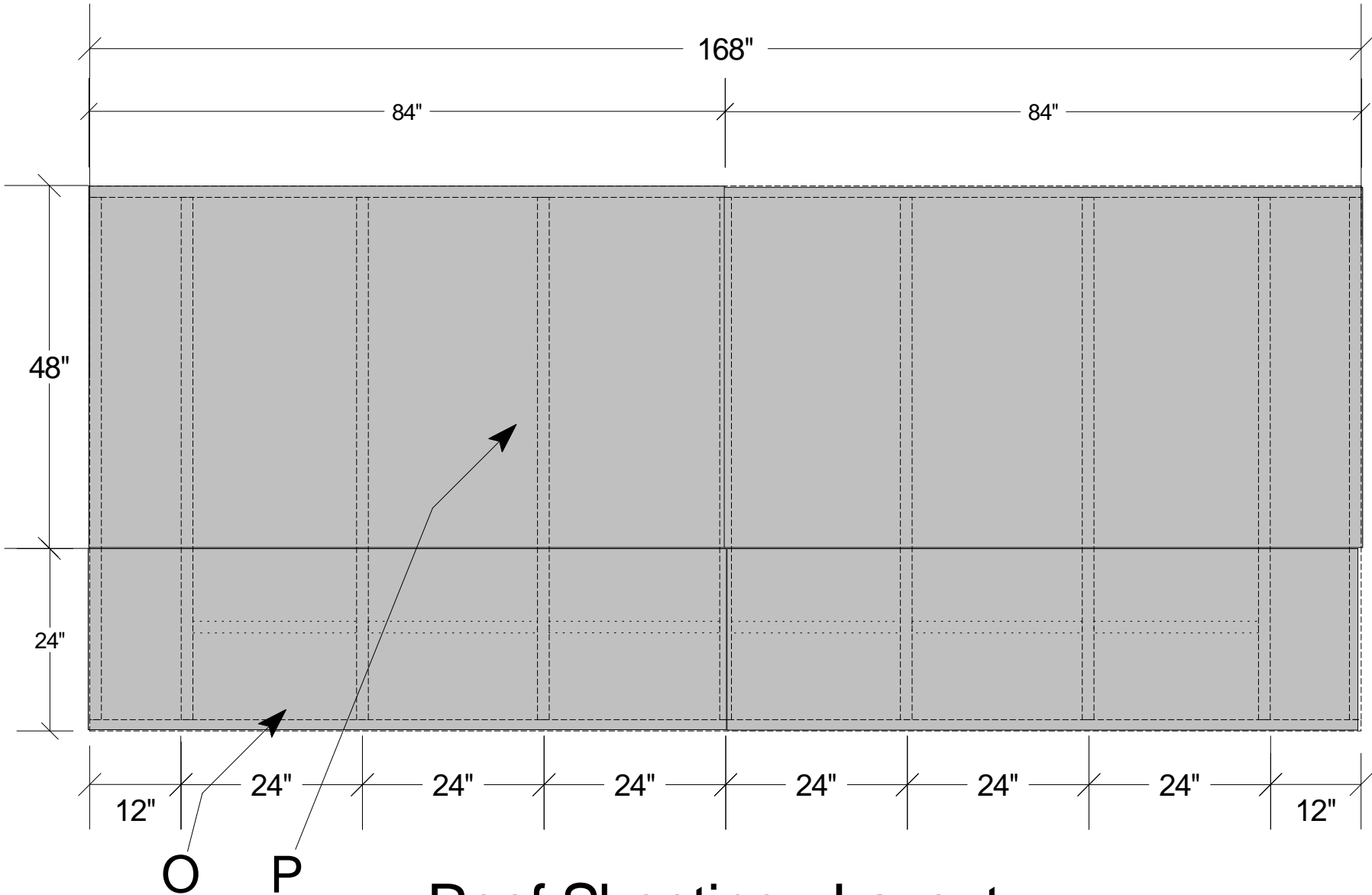


Front Wall Framing

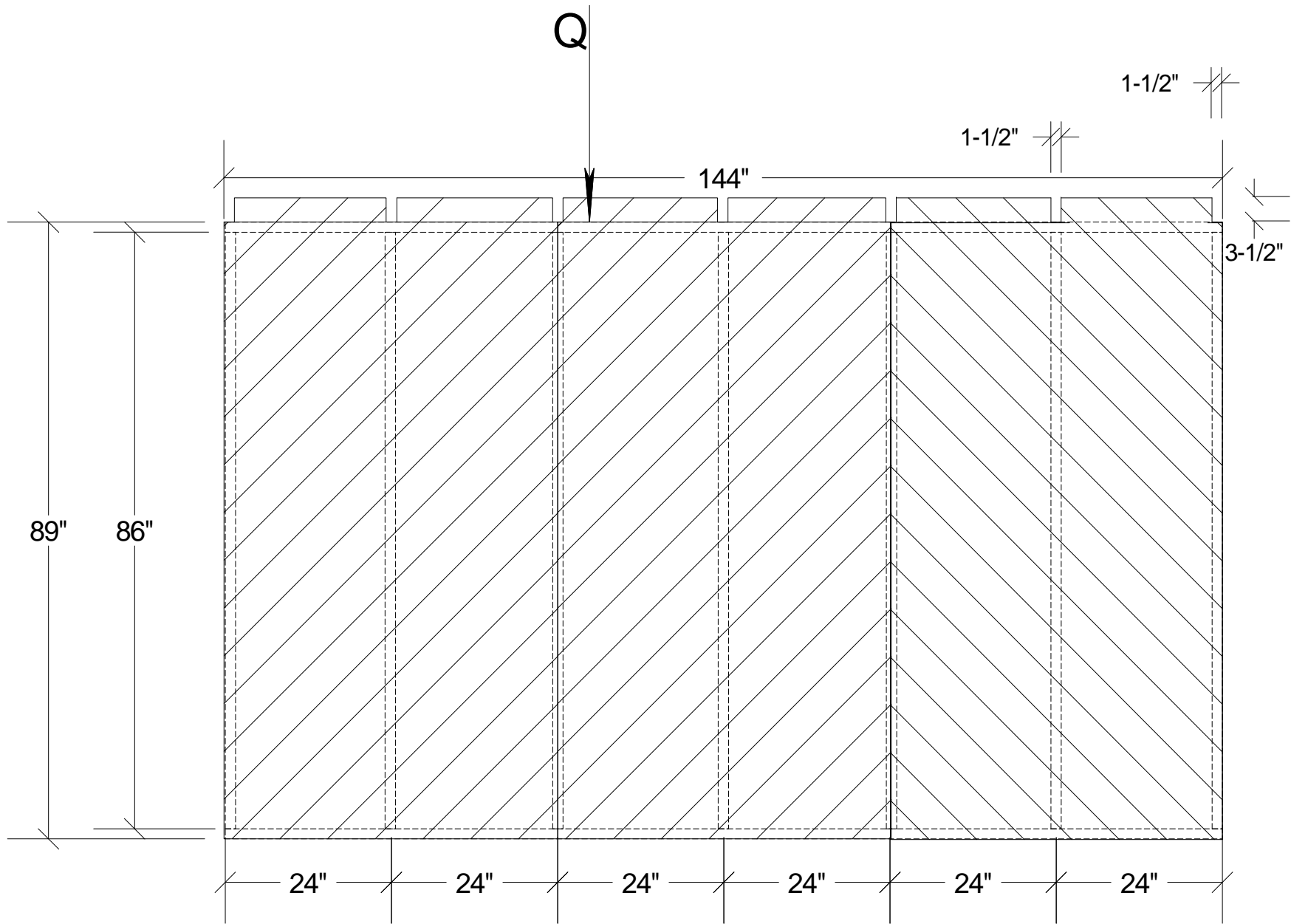
Verify Door and Window measurements.

Roof Framing - 2 Req'd

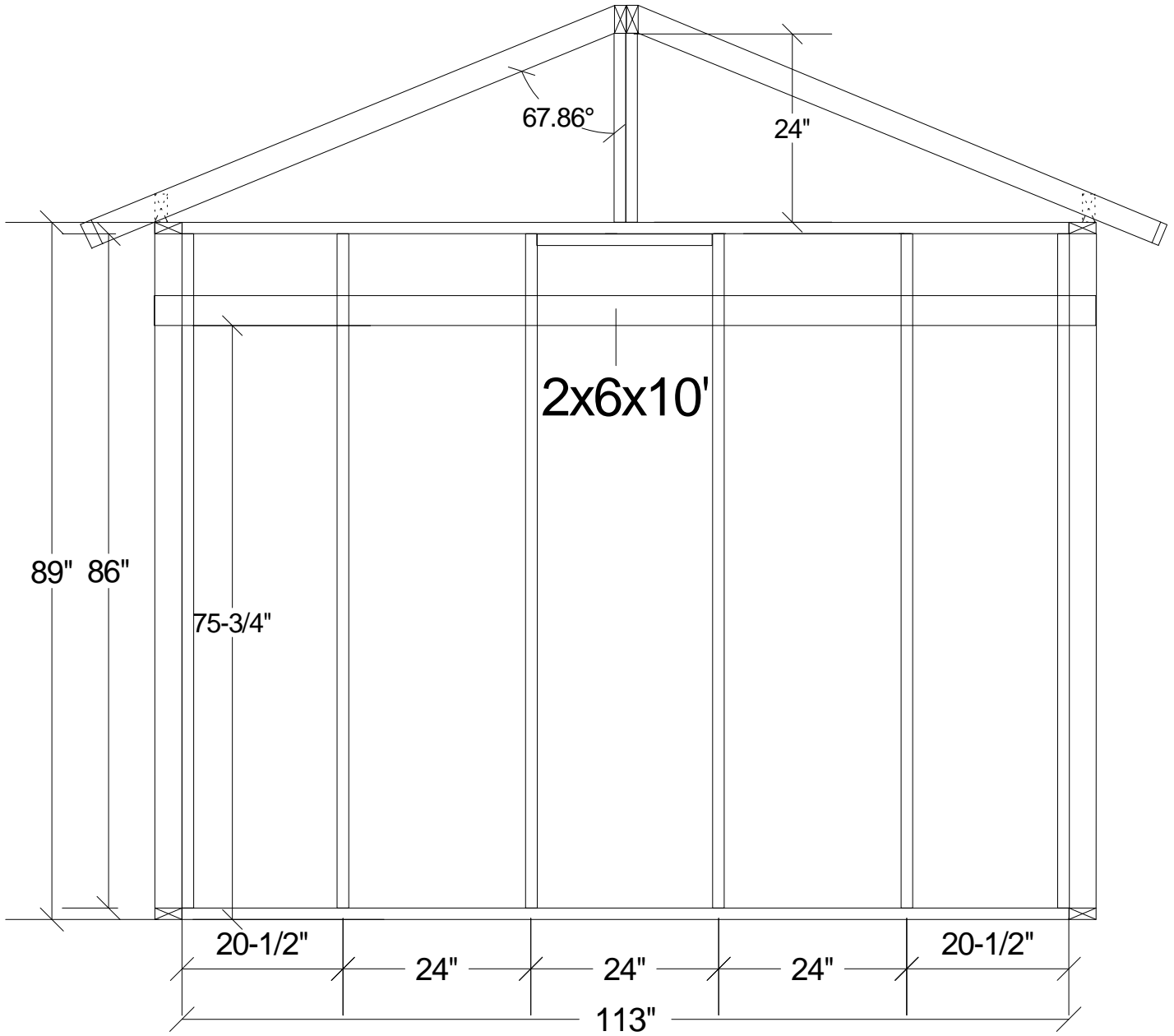




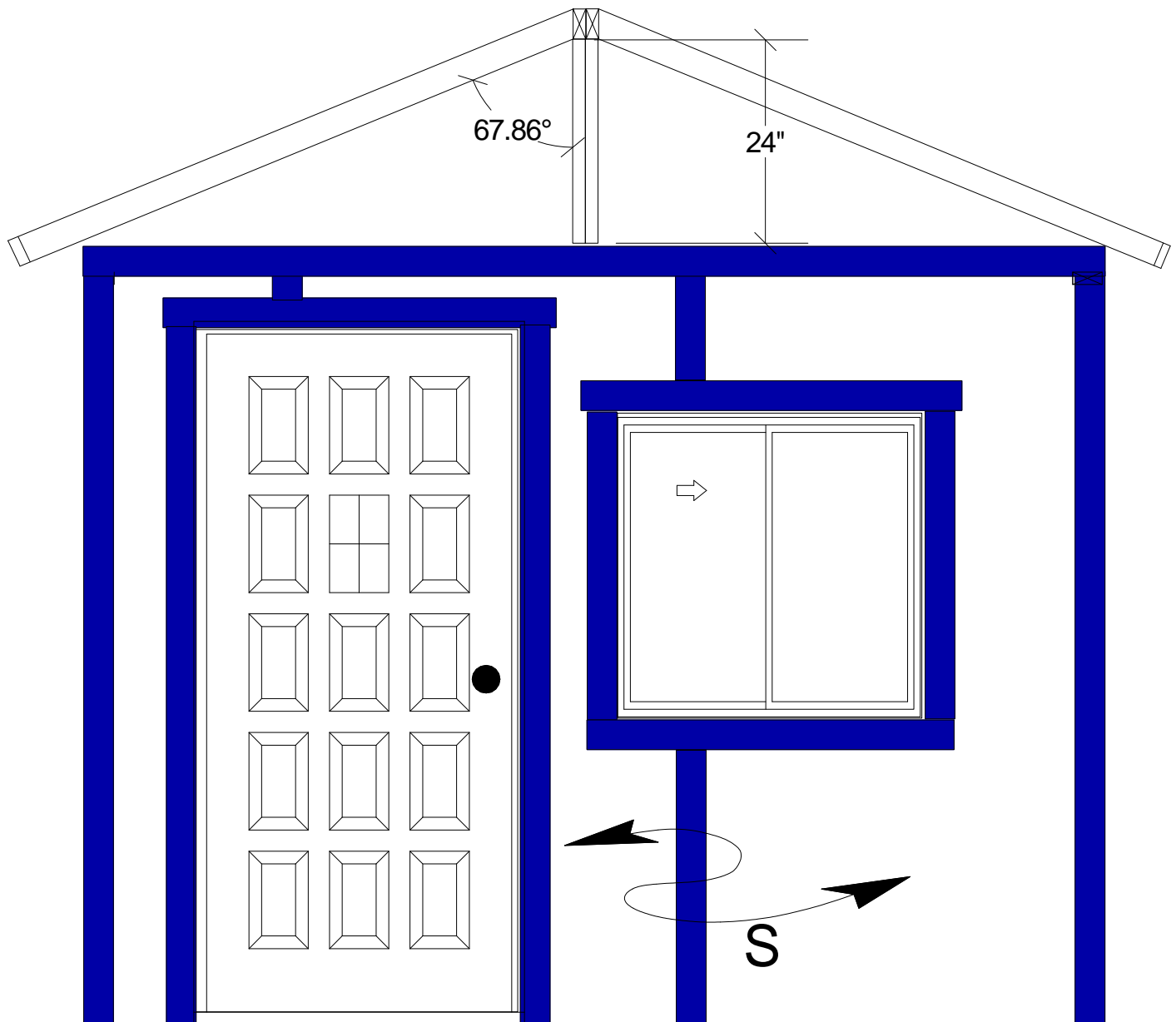
Roof Sheeting - Layout
 Typical of both sides - 3 Sheets



Side Wall Sheeting - 2 Sides Req'd

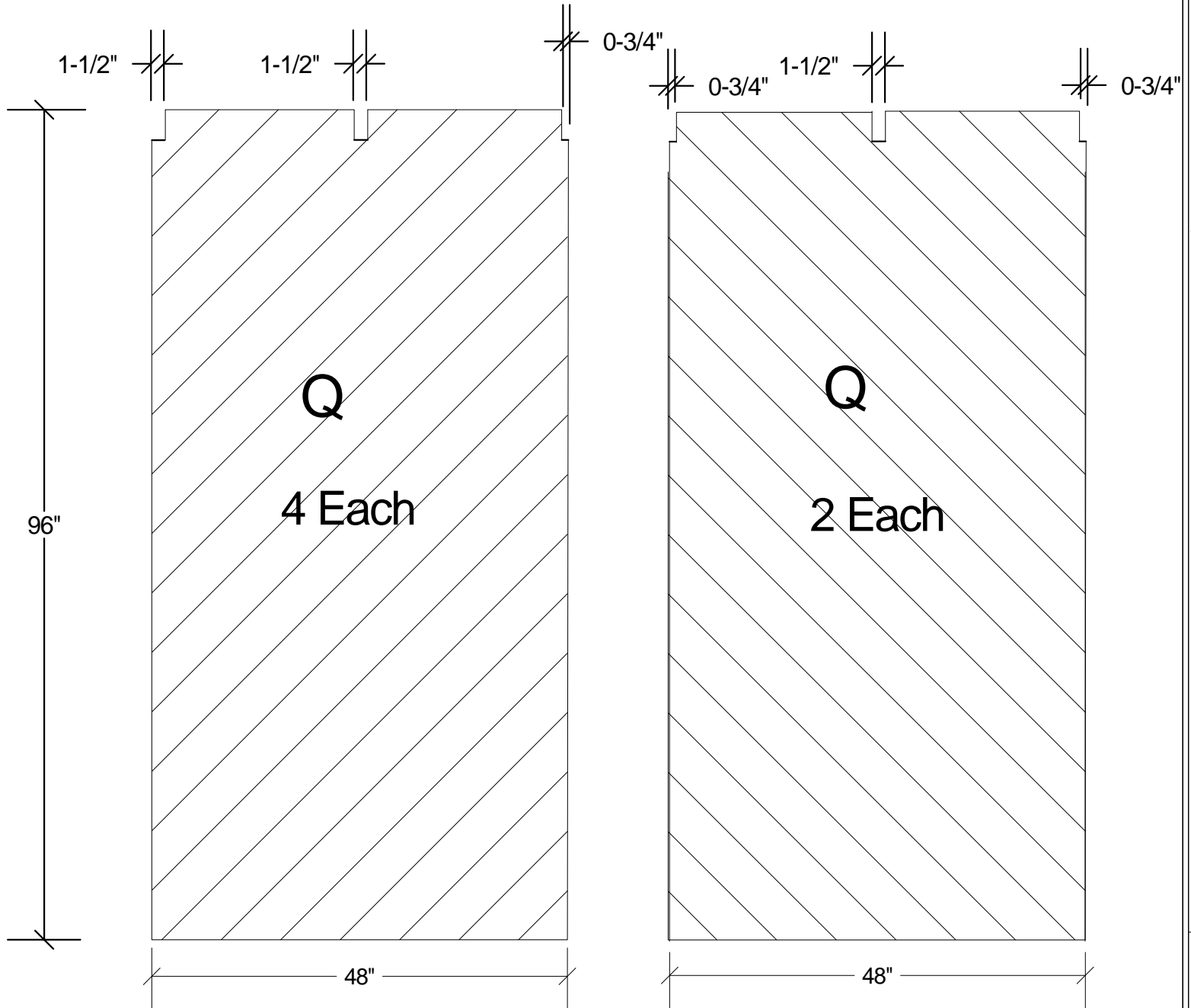


End Wall Elevation

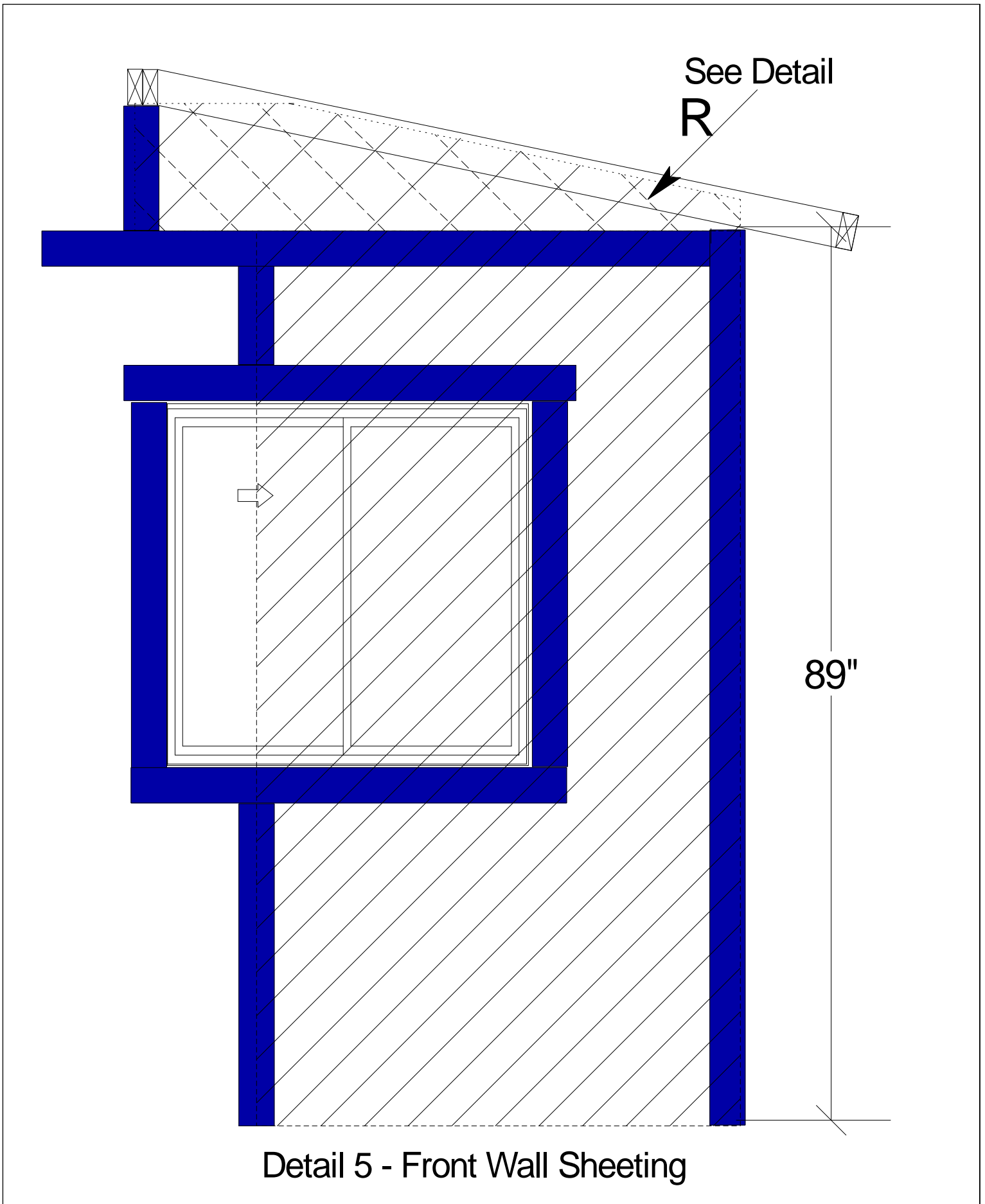


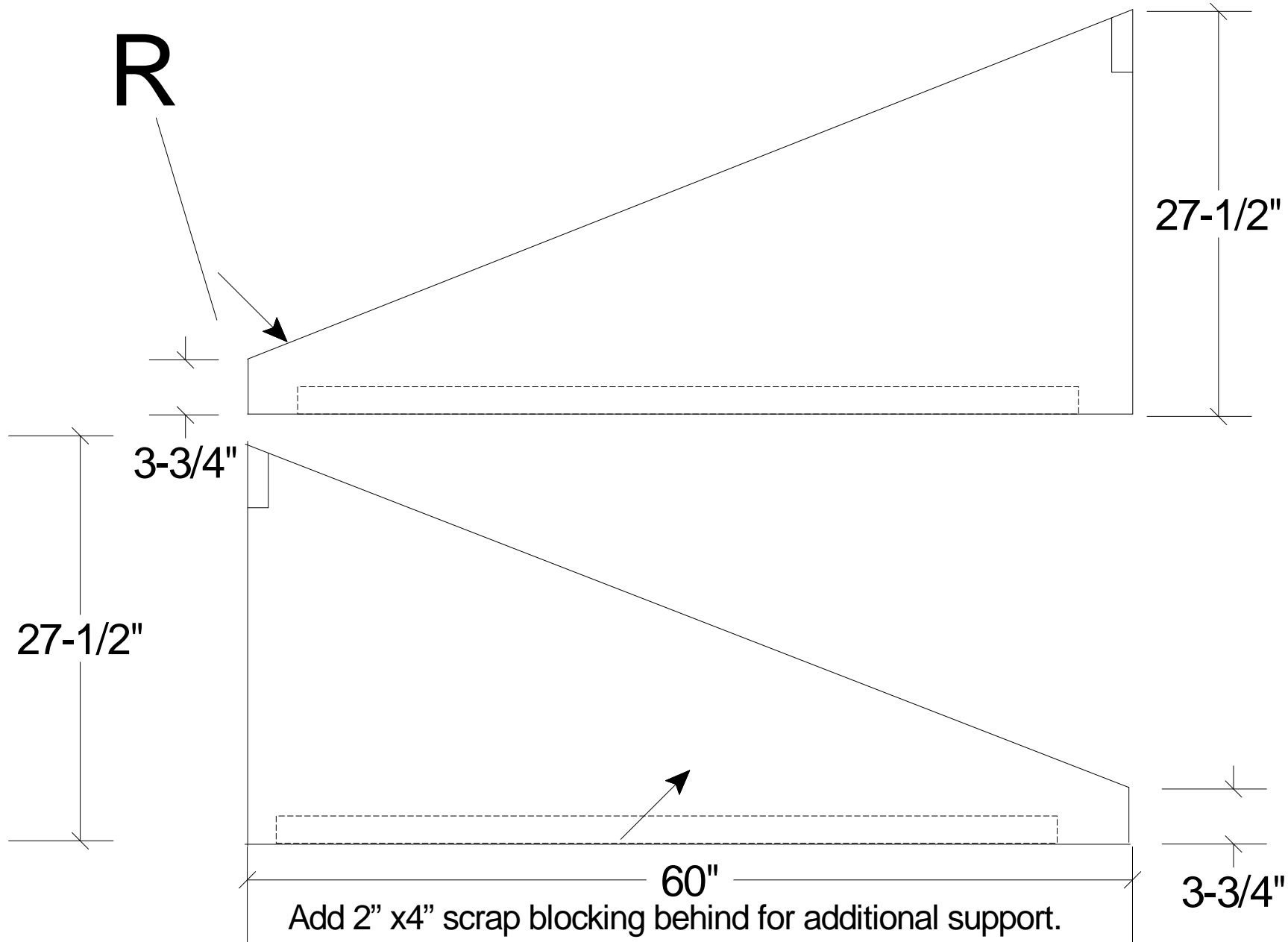
All Plywood seems and corners to be trimmed with 1" x 4" painted trim.
 Trim to be applied around door and window.
 Caulking should be applied behind door and window trim.

Front Wall Sheeting - Trim



DETAIL 1 - Side Wall Sheeting - 6 Pieces Req'd





Detail 6 - Top cut of plywood face for both FRONT and REAR walls
 2 Each - 4 Total pieces

