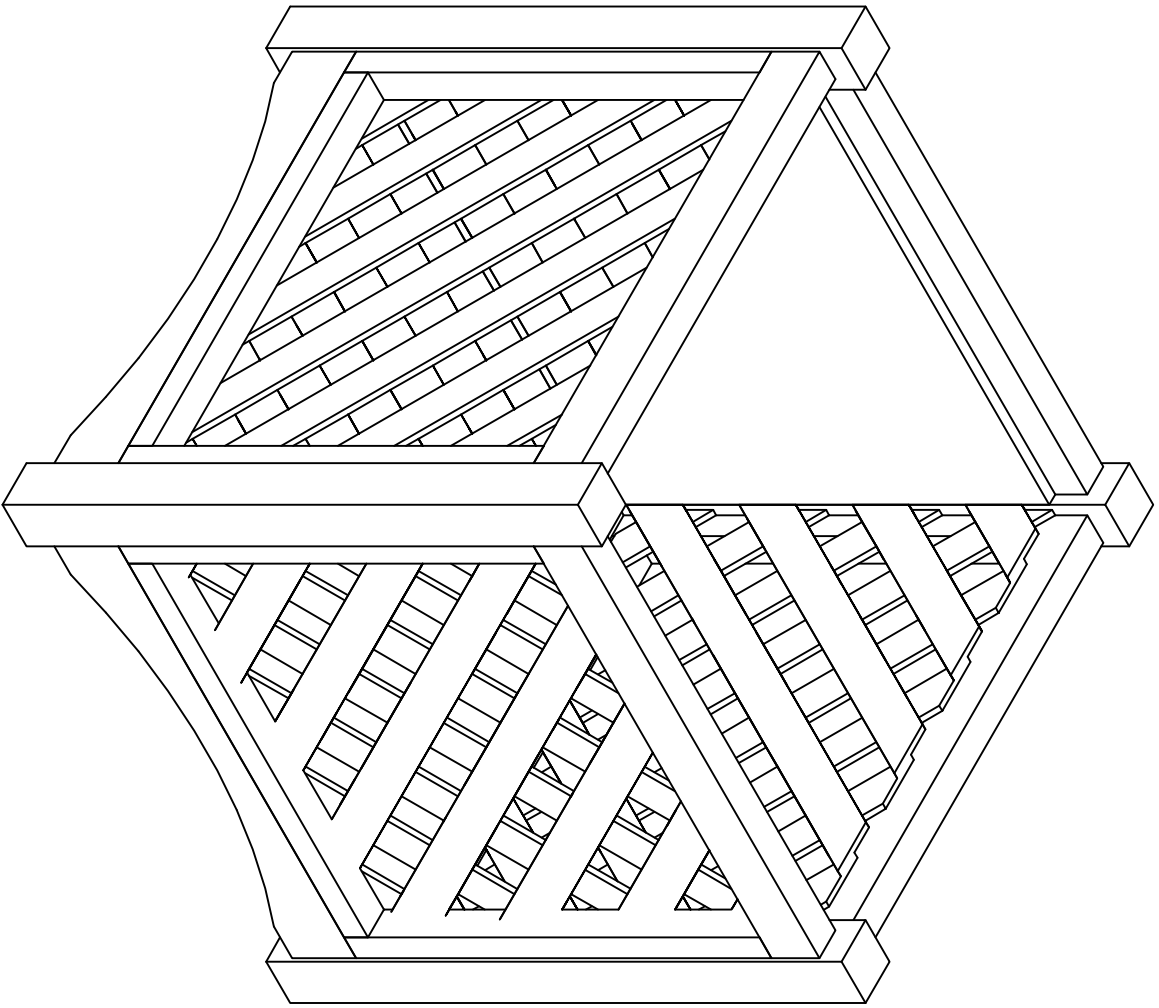


**CEDAR PLANTER BOX**

**SCALE: 3"=1'-0"**

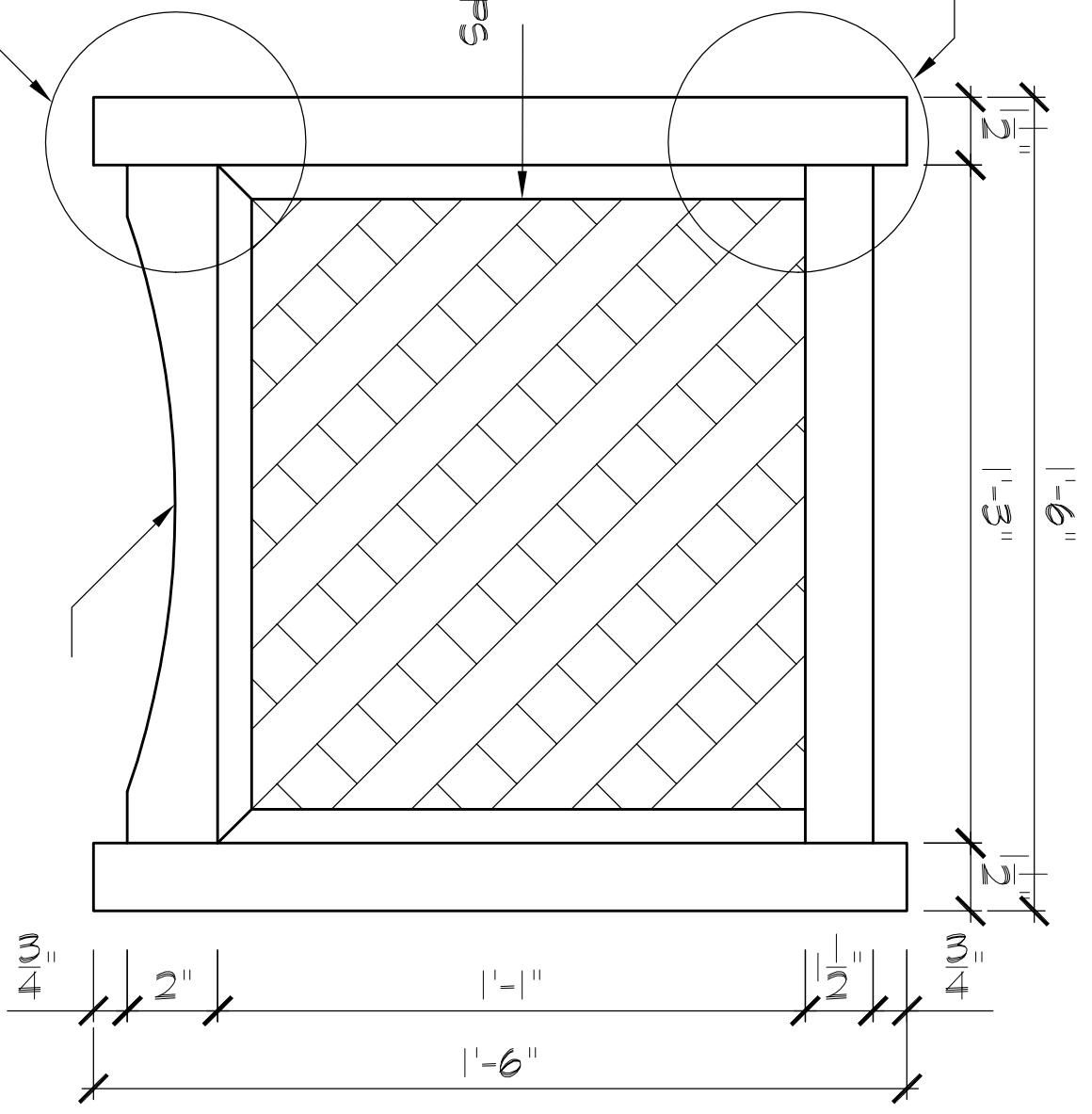


CORNER DETAIL C

CEDAR LATTICE  
W/ 1" X 3/4" STRIPS

CORNER DETAIL B

SIDE VIEW



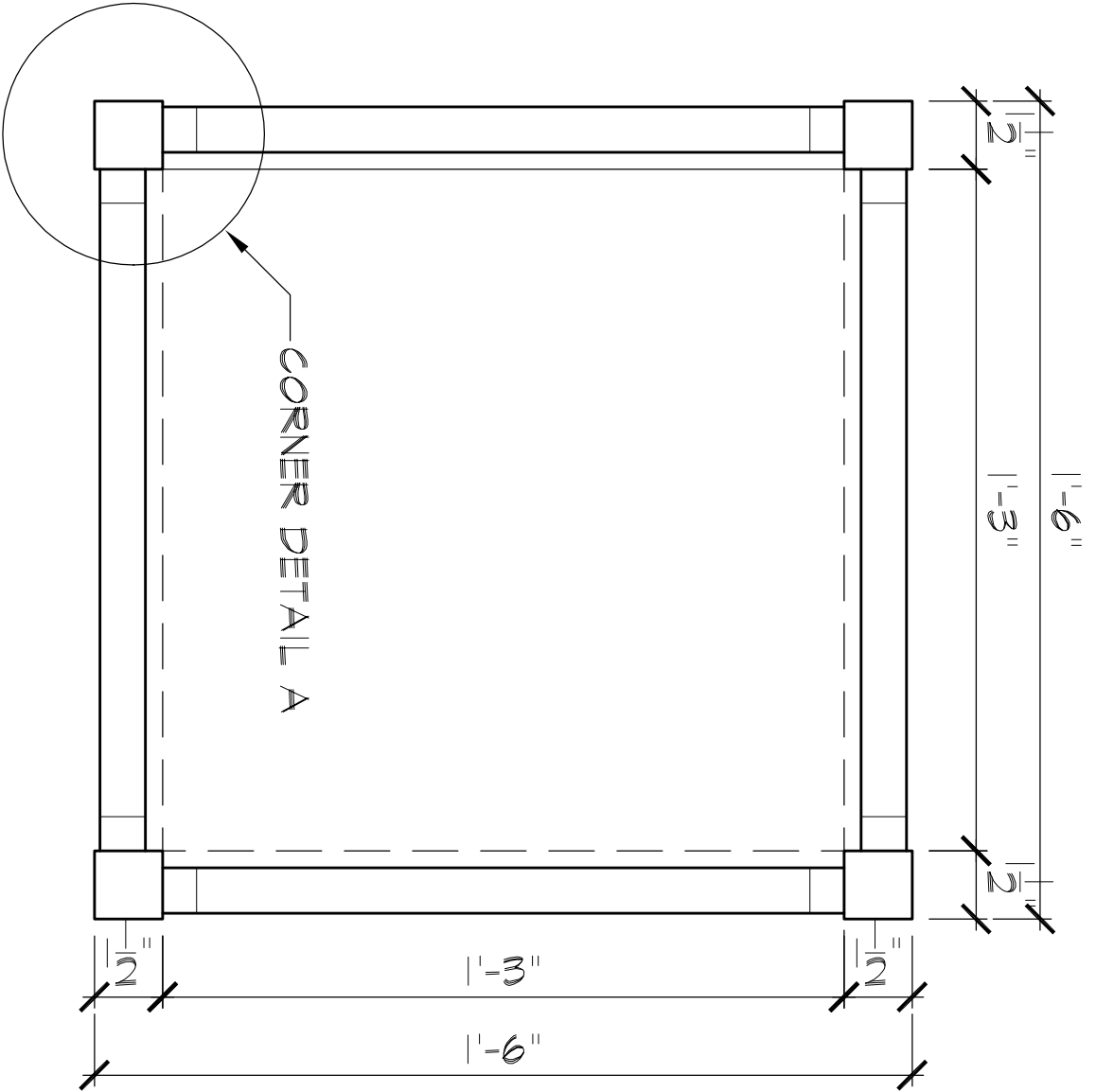
CEDAR PLANTER BOX

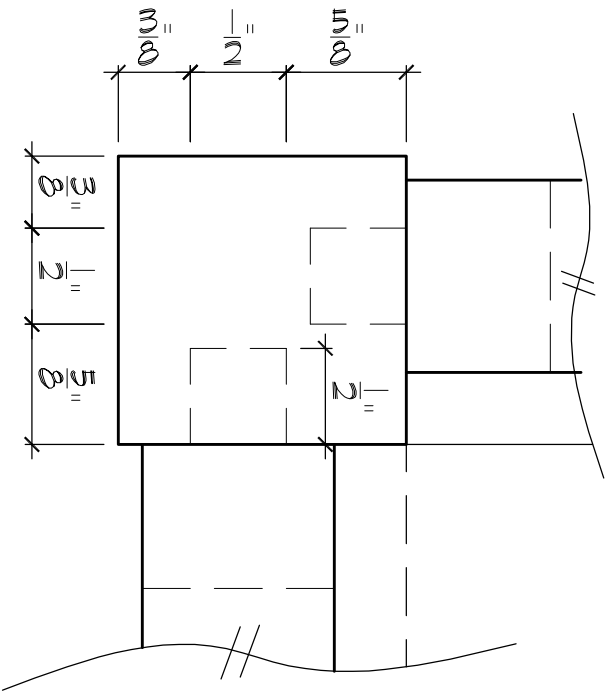
SCALE: 3"=1'-0"

**CEDAR PLANTER BOX**

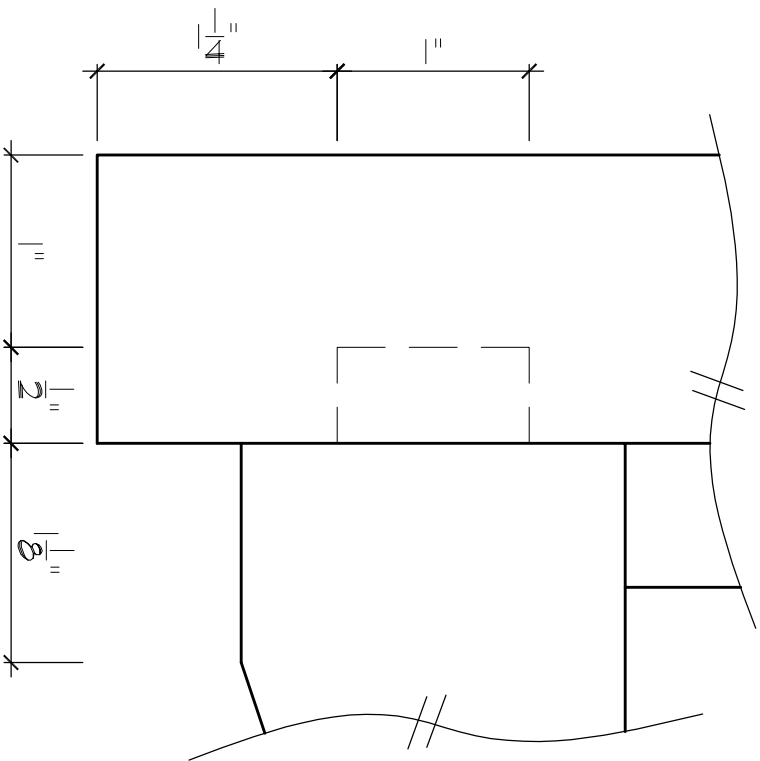
**SCALE: 3"=1'-0"**

**TOP VIEW**





CORNER DETAIL A  
SCALE 1" = 1"



CORNER DETAIL B  
SCALE 1" = 1"

**CEDAR PLANTER BOX**

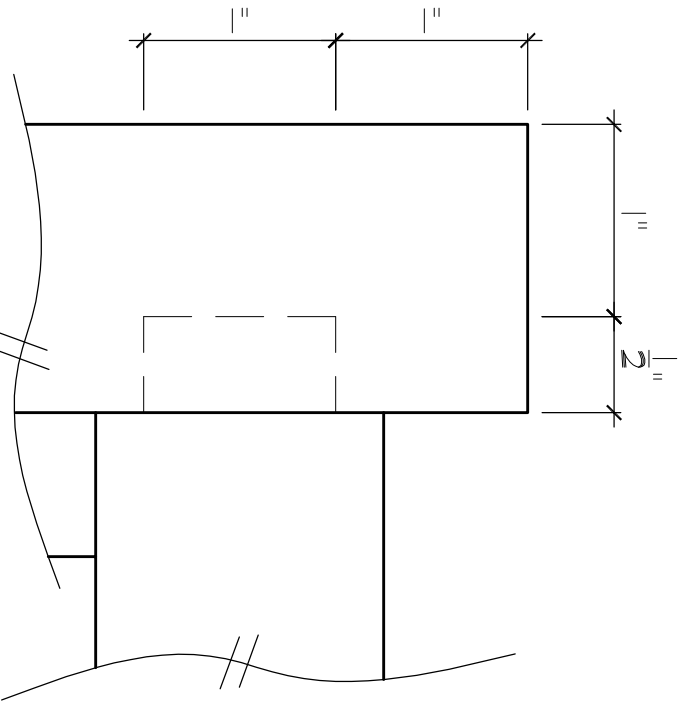
**SCALE: 3"=1'-0"**

**CUTTING LIST**

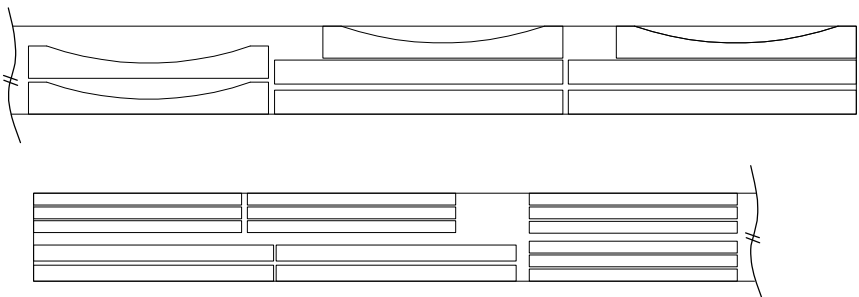
- 3@ 13"x14" CEDAR LATTICE
- 1@ 13"x14" T&G CEDAR PANEL
- 1@ 15"x16" T&G CEDAR PANEL
- 4@ 1-1/2"x1-1/2"x18" POSTS
- 4@ 1"x1-1/2"x15" UPPER RAILS
- 4@ 1"x2"x15" LOWER RAILS
- 2@ 1"x3/4"x13" VERTICAL STRIPS
- 4@ 1"x3/4"x15" HORIZONTAL STRIPS

**MATERIALS LIST**

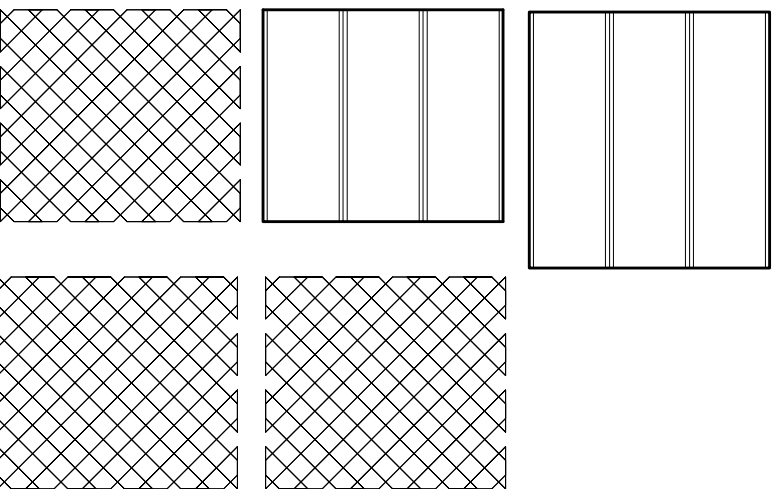
- 1@ 1"x6"x8' T&G CEDAR
- 1@ 48"x48" CEDAR LATTICE
- 1@ 2"x6"x8' CEDAR



**CORNER DETAIL C**  
SCALE 1" = 1'



**CUTTING DIAGRAM**



**CEDAR PLANTER BOX**

**SCALE: 3" = 1'-0"**