

# PROJECTS

## YOU Can Do

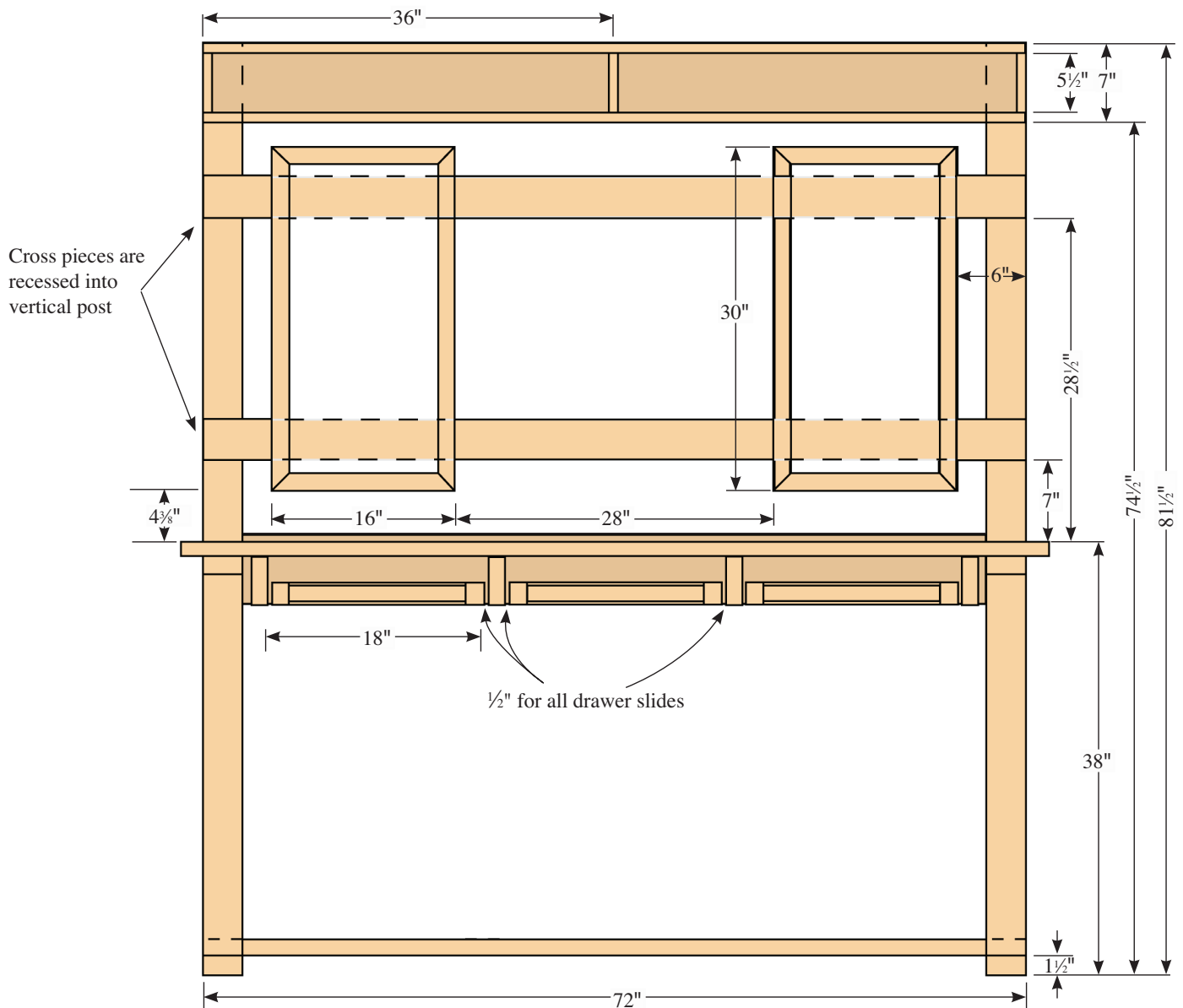


The Garden Bench (PF-1271)

Ultimate Workspaces Plans

# The Garden Bench (PF-1271)

Ultimate Workspaces Plans



Front View

## TIPS

This is a good project to remember the old rule: Measure twice and cut once. There are a good many parts and cuts here. Take time to look over this plan to fully understand how everything fits together. The bench is made from cedar and is suitable for outside use. If you don't use cedar, we recommend treated stock.

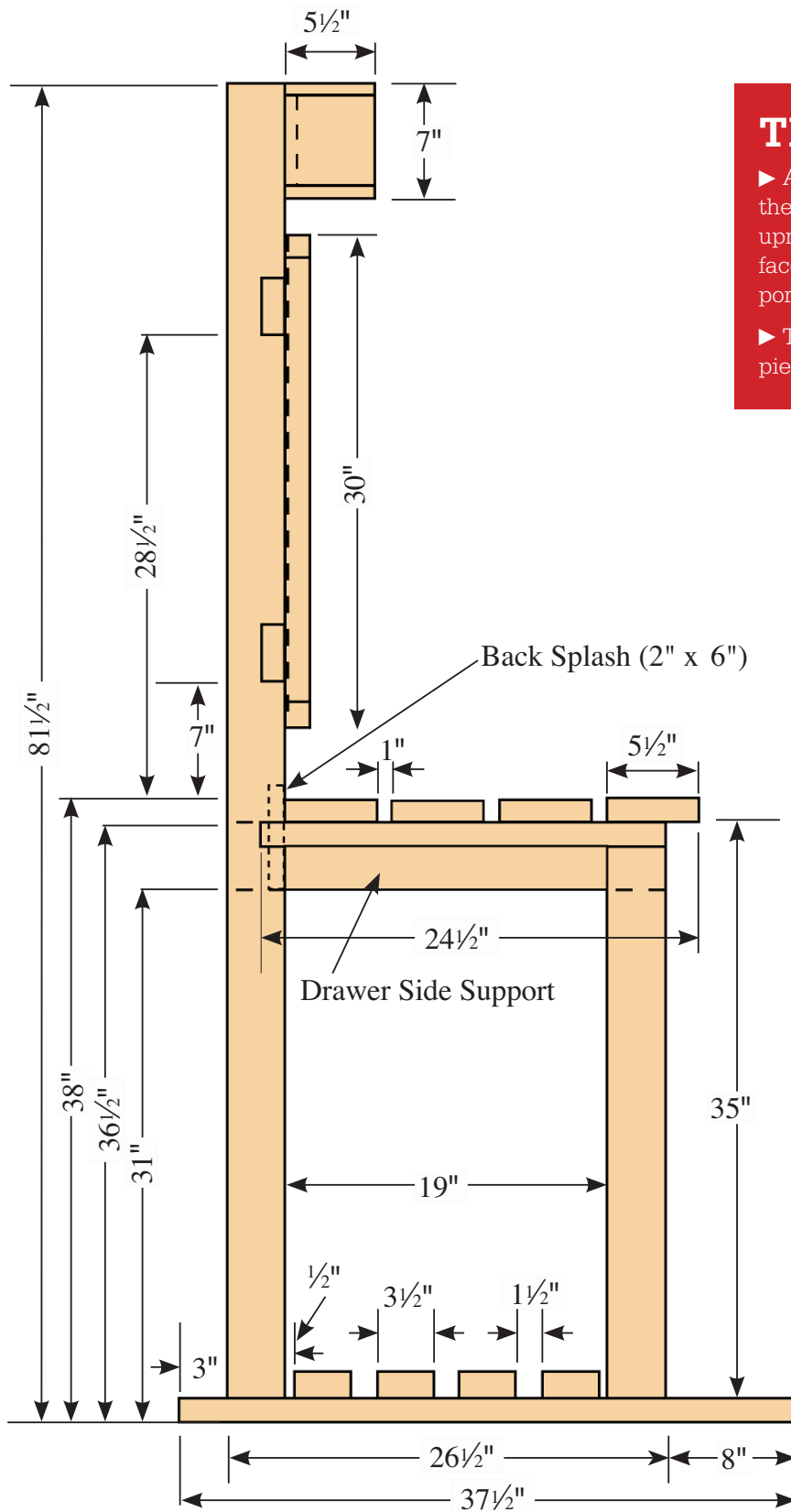
► While the two crossbeams are recessed into the 4 x 4 post, the top, boxed shelf space is not (although it could be).

► Though it's not on the plan, it would be a very good idea to add cross bracing to the back and sides of the bench to prevent wobble. This is not necessary if the bench is mounted to a solid surface.

► Pay attention to the positioning of the drawers and drawer slides. The drawers won't move easily if they're too close. If they're too far apart the drawer slides won't function properly. Leave ½" of space for each slide.

# The Garden Bench (PF-1271)

Ultimate Workspaces Plans



Side View

## TIPS

- ▶ A 2" x 6" back splash is mounted to the back of the working surface. Attach it between the two upright 4 x 4 posts. It extends above the work surface. The drawer supports are attached to the lower portion of the back splash.
- ▶ The feet of this table are made from 2" x 4" pieces of material.



# Dreaming

of a life in the country?

No one knows more about it than *The Progressive Farmer*.

Living the “good life” in the country is an American Dream for millions of us, and no other magazine helps you make your dream a reality like *The Progressive Farmer*.

As our editors like to say “ We know more about living in the country than anyone.”

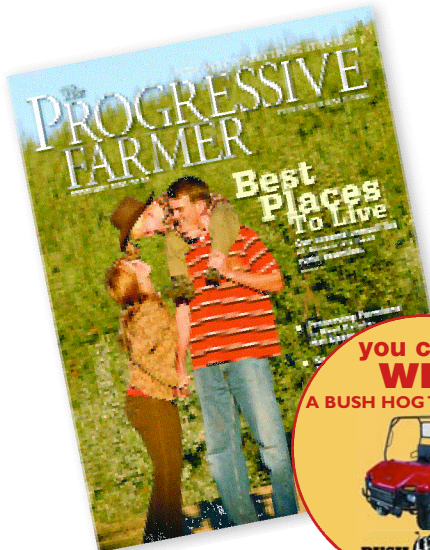
*The* PROGRESSIVE FARMER

Helping Families Live An American Dream

gardening • tools & equipment • diy projects • animals & livestock • outdoors & wildlife

Get MORE for your life in the country with The Progressive Farmer.

Try one issue of the magazine for FREE.



Yes, rush my FREE PREVIEW to me right away. If I like it, I can go on to get a whole year (9 more issues, 10 in all) for the low subscription rate of \$10. That's a savings of OVER 75% OFF what others pay. Plus when I purchase a subscription, my name will automatically be entered to win a Bush Hog Trail Hand. (NO PURCHASE REQUIRED. Purchasing does not improve your chances of winning.)

To accept this special offer, please send in this coupon or call the number below.

*The Progressive Farmer*  
P.O. Box 62365  
Tampa, FL 33662-3658  
or call toll free 1-800-292-2340  
or visit [www.progressivefarmer.com](http://www.progressivefarmer.com)

*The* PROGRESSIVE FARMER

Payment enclosed  Bill me later

EK: PFBFB60

GUARANTEE: If I don't like PF for whatever reason, I'll just mark "CANCEL" on the bill and return it. I won't owe anything. The FREE TRIAL ISSUE is mine to keep.

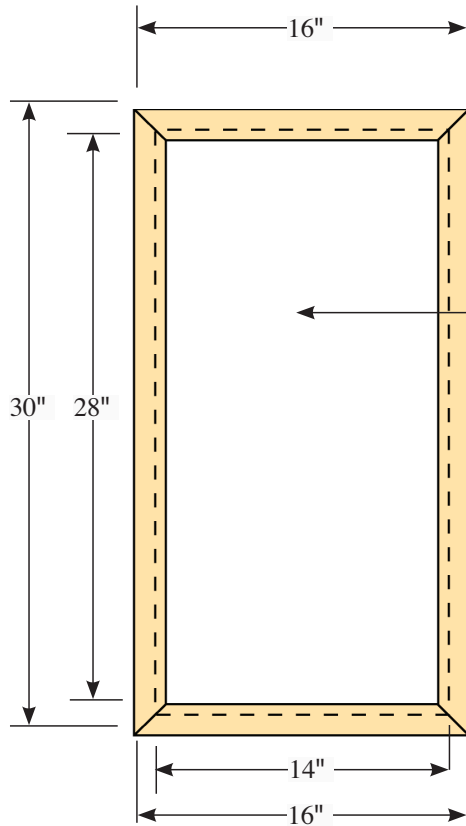
No, I don't want a subscription, but enter my name for a chance to win the Bush Hog Trail Hand. NO PURCHASE REQUIRED. Purchasing does not improve your chances of winning.

SEE FOR YOURSELF TODAY—visit [www.ProgressiveFarmer.com](http://www.ProgressiveFarmer.com)

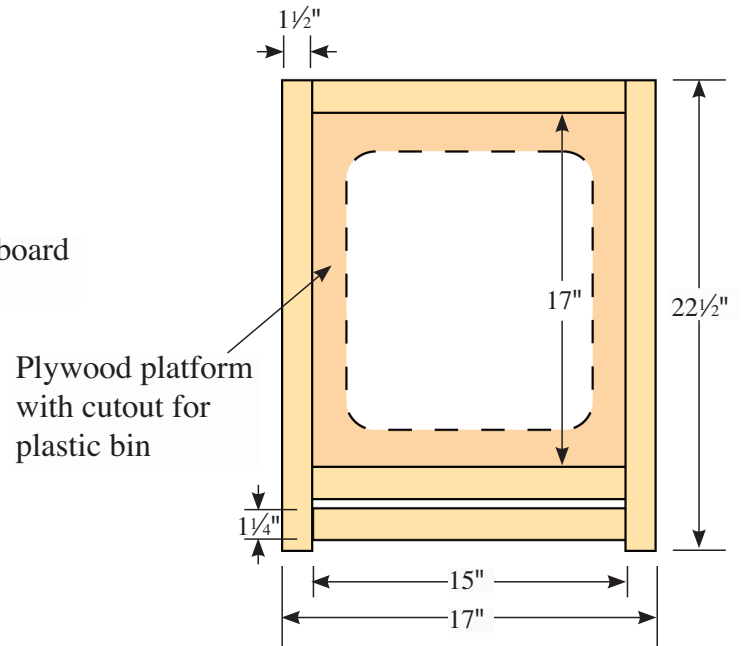
# The Garden Bench (PF-1271)

Ultimate Workspaces Plans

### Tool Boards Detail



### Drawer Detail



## TIPS

- ▶ We used pegboard for the tool boards. If the garden bench is to be kept outside, slightly rough up the smooth side of the board and apply a coat of high-quality polyurethane to all surfaces of both pieces.

# The Garden Bench (PF-1271)

Ultimate Workspaces Plans

## Material List

### **Potting Bench Parts (All sheets are based on 4' x 8' standard sheets.)**

- (3) 4 x 4 cedar boards, 8' long
- (2) 2 x 4 cedar boards, 8' long
- (6) 2 x 6 cedar boards, 8' long
- (3) 1 x 6 cedar boards, 8' long
- 1 sheet ¼" pegboard
- 3 sets of heavy ball-bearing drawer slides
- 3 plastic bins
- 1" screws
- 2" screws
- 3" screws
- Wood glue
- (1) 1¼" diameter closet rod, 8' long